

NORTH STAR QUALITY



EASY TO INSTALL

North Star systems come with fittings needed for a simple installation.



LOW MAINTENANCE

We incorporate high-efficiency technology and pro-grade materials into our North Star systems, delivering an easy-to-use solution you can count on.



WARRANTY PROTECTION

North Star Water Treatment Systems boast the most comprehensive warranties in plumbing wholesale, proof of our commitment to quality.



HIGH QUALITY MANUFACTURING

Our three U.S. based manufacturing facilities produce 95% of all components in our systems, allowing us to maintain strict control over the quality of our finished products.



UNPARALLELED SUPPORT

Our sales and business development team continually works with you to maximize your water treatment potential.

WANT TO KNOW MORE?

If you need more information about North Star Residential Softener Systems, get in touch with us or contact your local North Star representative.

Place Business Card Here

HOW TO CONTACT US

info@northstarwater.com | www.northstarwater.com

NORTH STAR ALSO OFFERS A COMPREHENSIVE LINE OF RESIDENTIAL FILTRATION & COMMERCIAL PRODUCTS



RESIDENTIAL WATER SOFTENER GUIDE



NSC22

22,000 Grain Water Softener



FEATURES

- Ideal for small to medium households
- High flow valve for optimal water pressure
- 6 ppm clear water (ferrous) iron removal
- Built-in tank light

NSC42

42,000 Grain Water Softener



FEATURES

- Ideal for any sized household
- Ultra high flow valve for up to 1" plumbing delivers maximum water pressure
- 11 ppm clear water (ferrous) iron removal
- Premium electronic board displays average daily gallons, flow rate, salt level and more
- Self-cleaning sediment filter, with no filters to replace
- Built-in tank light

NSC31

31,000 Grain Water Softener



FEATURES

- Ideal for medium to large households
- High flow valve for optimal water pressure
- 8 ppm clear water (ferrous) iron removal
- Built-in tank light

NSCWC

35,000 Grain Water Softener + **Whole Home Filter**



FEATURES

- 2-in-1 system softens and filters the water for your entire home
- Reduces sediment and chlorine using carbon filtration
- Ideal for any sized household
- High flow valve for optimal water pressure
- Self-cleaning sediment filter, with no filters to replace
- Built-in tank light

CHOOSE THE WATER SOFTENER THAT'S RIGHT FOR YOU



SPECIFICATIONS	CABINET MODELS				TWO-TANK MODELS		
Model Number	NSC22	NSC31	NSC42	NSCWC	NST30ED	NST45ED1	NST70ED1
Part Number	NSC2218	NSC3118	NSC4218	NSCWC18	7366431	7366449	7366457
Household Size	1-4	1-5+	All	All	1-5+	1-6+	All
Max Capacity (Grains)	22,100	31,300	42,100	35,600	30,200	45,300	70,000
Resin (cu. ft.)	0.65	0.81	1.20	0.98	0.78	1.26	1.94
Standard Connection Size	1" NPT	1" NPT	1" NPT	1" NPT	1" NPT	1" NPT	1" NPT
Valve	3/4"	3/4"	1"	3/4"	3/4"	1"	1"
Rated Service Flow Rate (gpm)	7.2	7.2	9.9	8.0	7.3	10.0	13.5
Intermittent Flow Rate (gpm @ 30 psi drop)	11.3	11.8	17.8	17.1	11.0	18.6	21.0
Clear Water Iron Removal (ppm)	6	8	11	3	8	12	19
Electronic Demand	Yes	Yes	Yes	Yes	Yes	Yes	Yes
Maximum Efficiency (grains removed per lb of salt)	4,474	5,090	4,940	4,780	5,090	5,070	5,080
DIMENSIONS							
Dimension A	47.75"	47.75"	48"	47.75"	48.75"	50"	65.75"
Dimension B	41.5"	41.5"	41.5"	41.5"	41.25"	41.25"	57"
Dimension C	16.5"	16.5"	17"	16.5"	8.25"	10.5"	12.25"
Dimension D	19.75"	19.75"	21"	19.75"	11.5"	14"	14"
Dimension E	3.375"	3.375"	3.75"	3.375"	3.375"	3.75"	3.75"
WARRANTY							
1 year on complete unit 3 years on electronic control board and valve body 10 years on salt storage tank and mineral tank							

NST30ED

30,000 Grain Water Softener



FEATURES

- Ideal for small to medium households
- High flow valve for optimal water pressure
- 8 ppm clear water (ferrous) iron removal

NST70ED1

70,000 Grain Water Softener



FEATURES

- Ideal for any sized household
- Ultra high flow valve for up to 1" plumbing delivers maximum water pressure
- 19 ppm clear water (ferrous) iron removal

NST45ED1

45,000 Grain Water Softener



FEATURES

- Ideal for any sized household
- Ultra high flow valve for up to 1" plumbing delivers maximum water pressure
- 12 ppm clear water (ferrous) iron removal



ALL NEW CABINET MODELS FEATURE

AutoSense™ Technology

Monitors your water usage to determine the optimal frequency of regeneration, maximizing efficiency while minimizing salt and water usage.

Low Salt Monitor

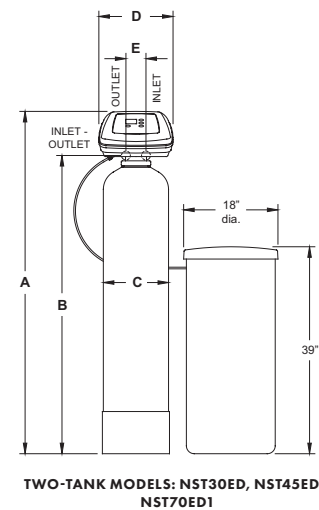
Indicates the softener is working efficiently and flashes when the softener is getting low on salt, allowing you a few days to refill the salt tank.

High Capacity Media

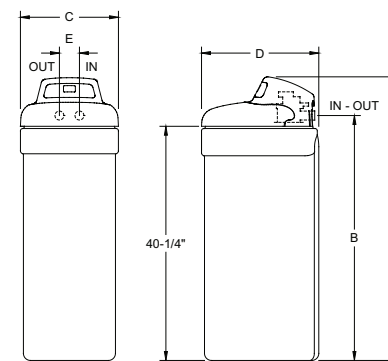
Our long-lasting softening resin has more hardness holding capacity than standard resins, allowing you to go longer between regenerations.

Installation Kit

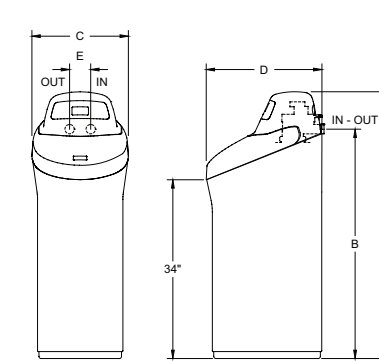
Our softeners come with everything needed to hook up to 1" NPT plumbing, including a bypass valve.



TWO-TANK MODELS: NST30ED, NST45ED1, NST70ED1



CABINET MODELS: NSC22, NSC31, NSCWC



CABINET MODEL: NSC42

ALL TWO-TANK MODELS FEATURE

AutoSense™ Technology

Monitors your water usage to determine the optimal frequency of regeneration, maximizing efficiency while minimizing salt and water usage.

HE Regeneration

North Star systems use reverse flow during regeneration, proven to be the most effective way to clean a resin bed of hardness minerals.

Reinforced Media Tank

We only use durable, HDPE double-wrapped resin tanks to handle the maximum internal pressures.